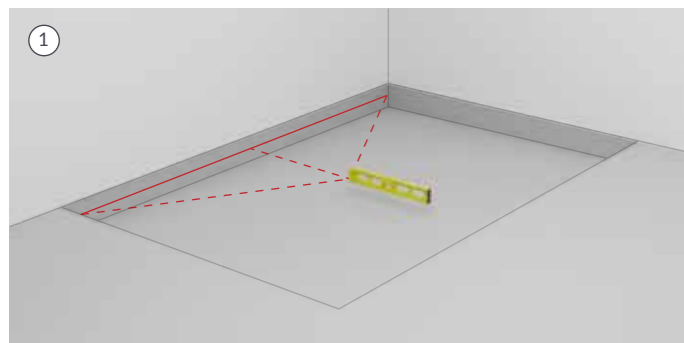
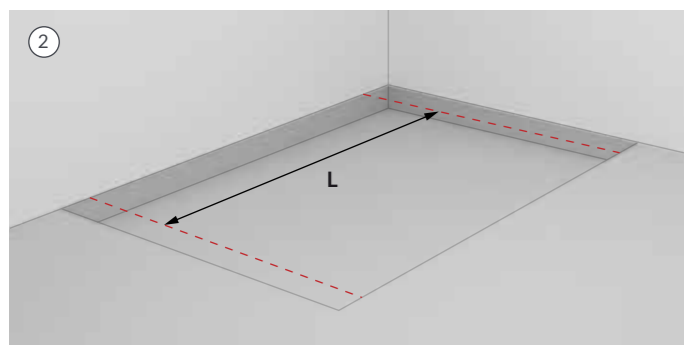


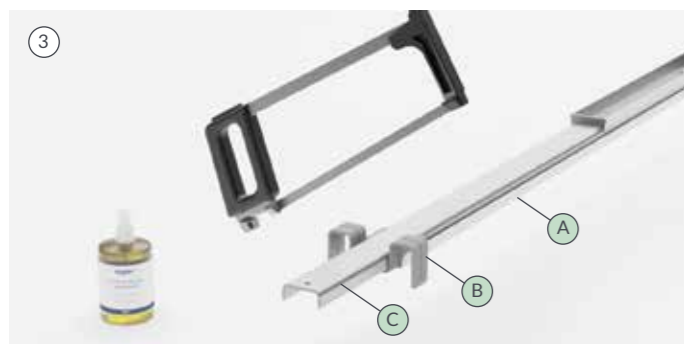
Read this manual before attempting to install the product. This manual specifies the correct installation of the shower drain.



1. Determine the surface level of the finished shower tray floor where the shower drain is to be located (include the correct floor grade).



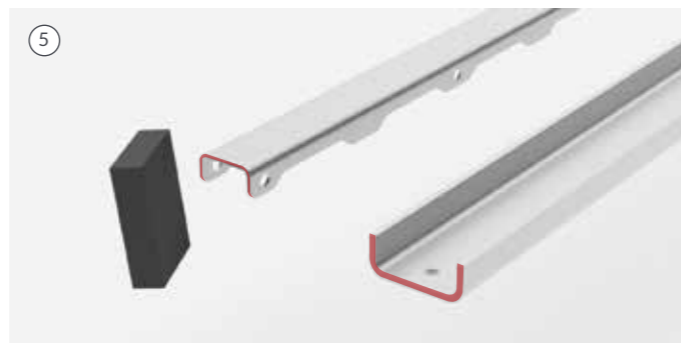
2. Measure the length of the shower drain, L, which is the width of the installation recess reduced by the thickness of all tiles, tile adhesive, and waterproof course.



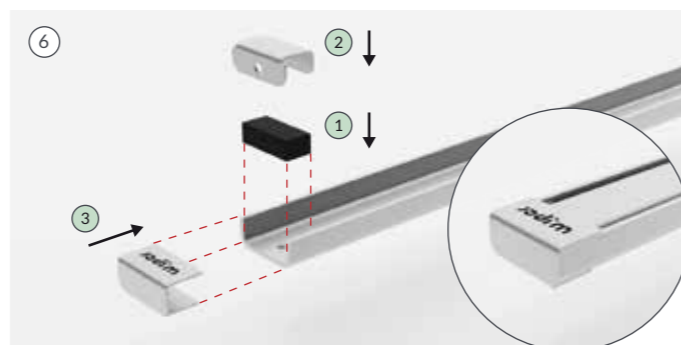
3. Cut the shower drain channel to the length L by a symmetrical distance from both ends of the channel using the included cutter, stainless steel saw blades, and cutting lubricant (which needs to be applied several times).
A – Installation guide piece (for temporary use)
B – Cutter for the shower drain channel, grate, and guides
C – Shower drain channel



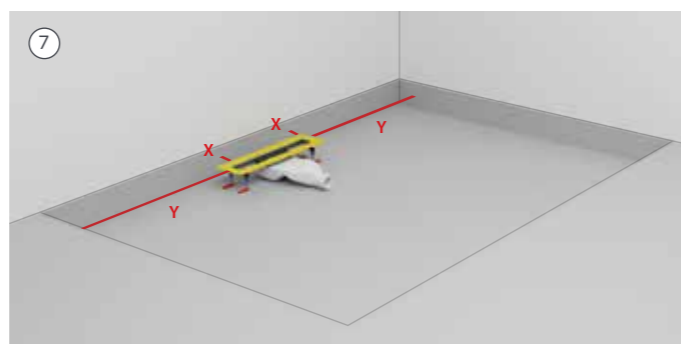
4. Trim the drain grate symmetrically from both its ends by the same length as the drain channel was trimmed; this should result in the grate length 28 mm shorter than the trimmed channel.
A – Installation guide piece (for temporary use)
B – Cutter for the shower drain channel, grate, and guides
C – Shower drain channel
D – Grate



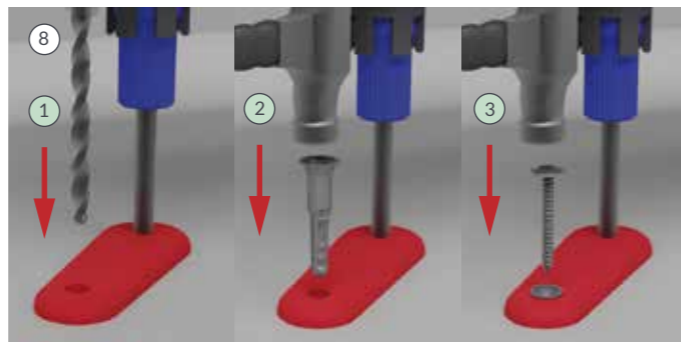
5. Deburr (grind) the cut edges with the included grinding block.



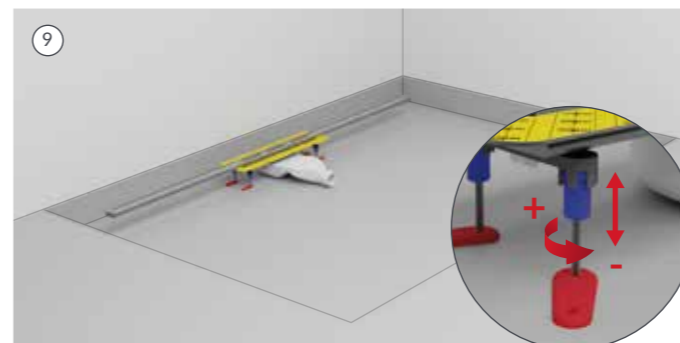
6. Install the caps on both ends of the channel.



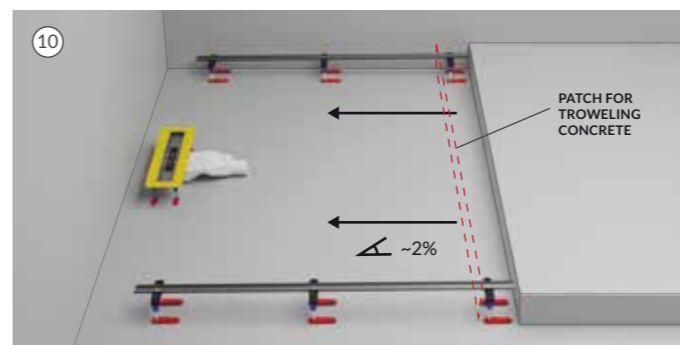
7. Place the drain base in the installation location.



8. Bolt the drain base to the substrate using the included quick-fit plugs.



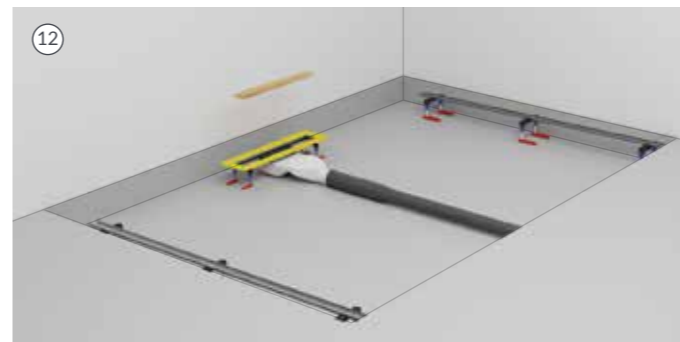
9. Place the channel over the drain base and adjust to the correct level of the top edge of the channel – it should be fixed 3-4 mm below the top of the finished shower tray floor.



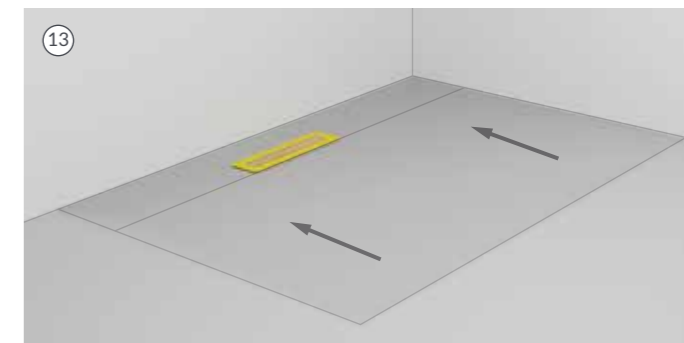
10. Remove the channel from the drain base. Cut the installation guides to size and install them in the feasible locations to provide the correct grade of the shower tray floor towards the drain. Adjust the installed height of the guides so that their top edges on one end are level with the top surface of the drain base (i.e. the bottom surface of the drain channel). The top edges on the opposite end shall be flush with the unfinished floor of the shower tray. The grade produced so should be approx. 2% (2 cm/1 m).



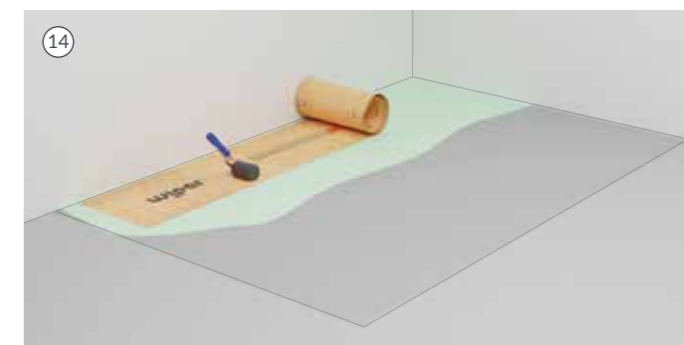
11. Plumb the shower drain to the drainage system and test for leaks.



12. Insert the cardboard cover inside of the drain base for protection against cement mortar and other dirt.



13. Fill the installation recess with cement mortar – use the installation guides to pass the skimming float over their surface while profiling the graded top surface.



14. Cover the surface around the drain base with waterproofing film, remove the backing film from the flange and stick on the sealing sleeve. It is critical to firmly stick the sealing sleeve to the flange using the included roller.



15. Install the full waterproofing course of the shower cabin according to the selected system, e.g. the recommended WIPER Tanking Kit. Directly after applying the liquid waterproofing membrane around the drain base, place the drain channel in its final position on the base.



16. Leave for the minimum time recommended by the manufacturer (1.5 h only for the WIPER Tanking Kit) and proceed with the tiling work.

Warranty Terms & Conditions

1. This Warranty is the obligation of the product manufacturer, Wiper sp. z o.o. to provide free-of-charge removal of all physical defects of the product as sold. The Warranty period of 25 years begins on the date of purchase shown on the invoice or receipt.
2. The manufacturer guarantees that the product has been manufactured per its approved design, features the properties specified in the Product Data Sheet, is free of all defects, features the performance specified for this type of product, and meets the reference standards listed in the Declaration of Conformity.
3. The basis for all warranty claims shall be the original proof of purchase (invoice or receipt).
4. This Warranty is provided to the physical/legal person named on the proof of purchase.
5. This Warranty shall not apply to a product damaged or defective due to:
 - 5.1 – Improper or non-intended operation or servicing and maintenance;
 - 5.2 – Impact damage of the product after its purchase, during shipping, or during storage;
 - 5.3 – Installation in departure from the manufacturer's recommended installation manual, any attempt at technical modifications, or intervention into the design and/or integrity of the product after its purchase, or operation of the product which has been found to be defective;
 - 5.4 – Action of any chemicals incompatible with the product materials and coded 0H18N9/0H18N10 as established in the European standards EN10088-1, EN10088-2, or EN10088-3;
 - 5.5 – Damage by accident or force majeure.
6. This Warranty applies to the purchased product and does not provide for any claim to seek return of any costs or reimbursement of damages due to any malfunction of the product. These claims may only be settled before a court of law pursuant to the applicable and prevailing regulations of law.
7. Wiper will examine each warranty claim in 14 business days from being served.
8. If the warranty claim is valid and accepted, the manufacturer will replace the entire product or its defective part(s) within 14 business days from being served the claim. The choice of the remedy to the warranty claim shall be at the manufacturer's discretion and will not require any prior acceptance from the claim originator.
9. Every warranty claim shall be served to the original seller of the product.

Parts list

2391/EN/1

