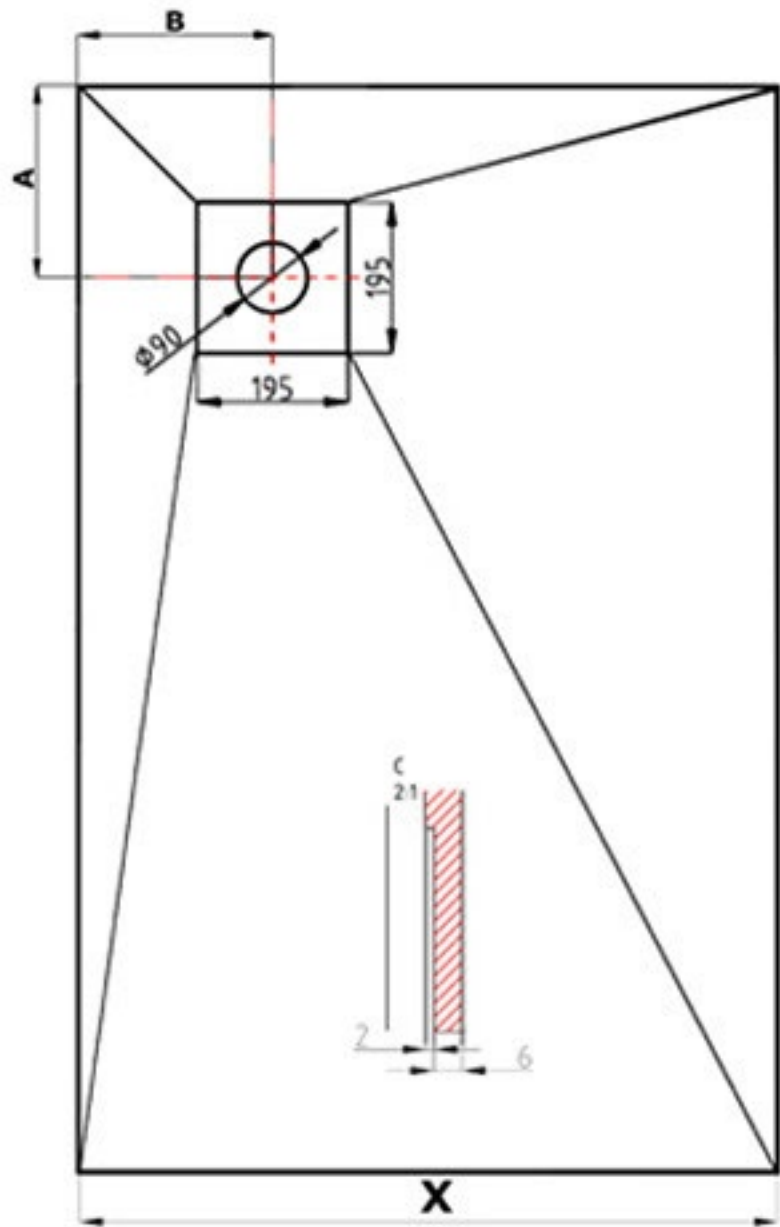
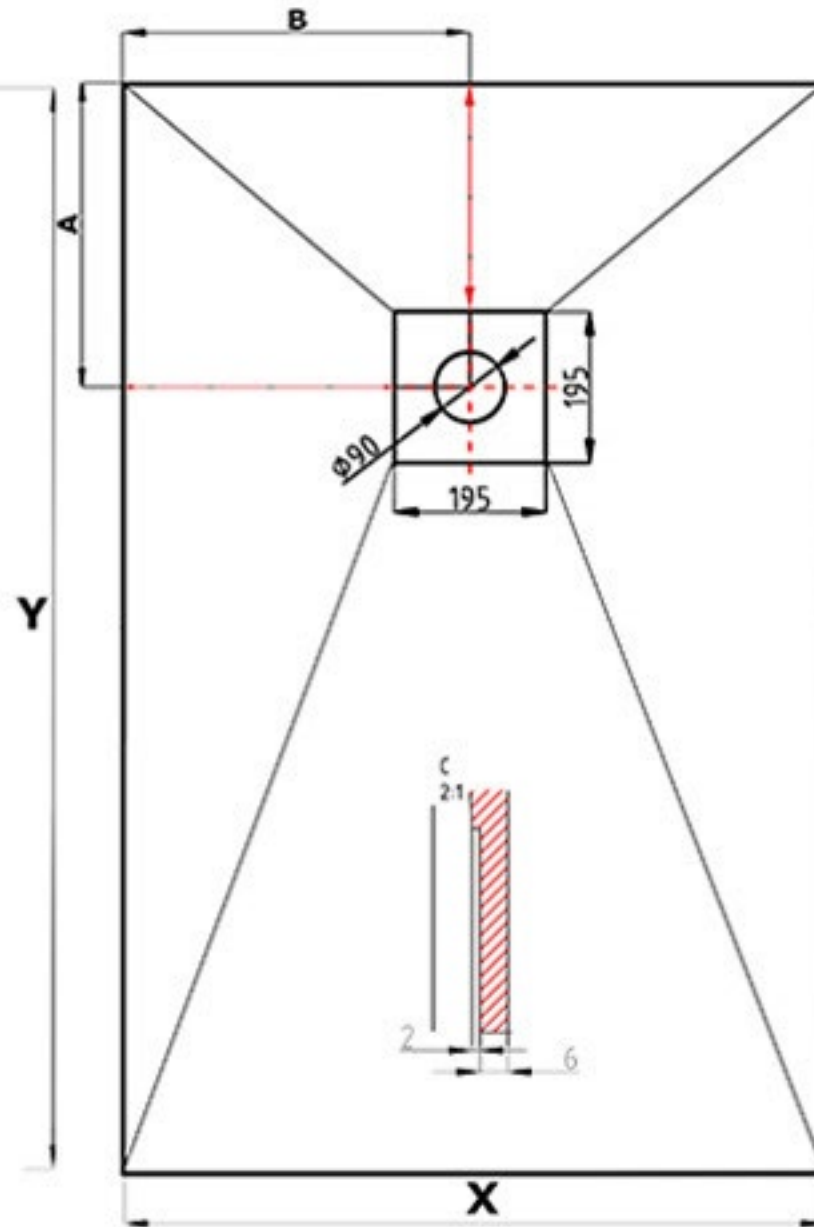


CORNER



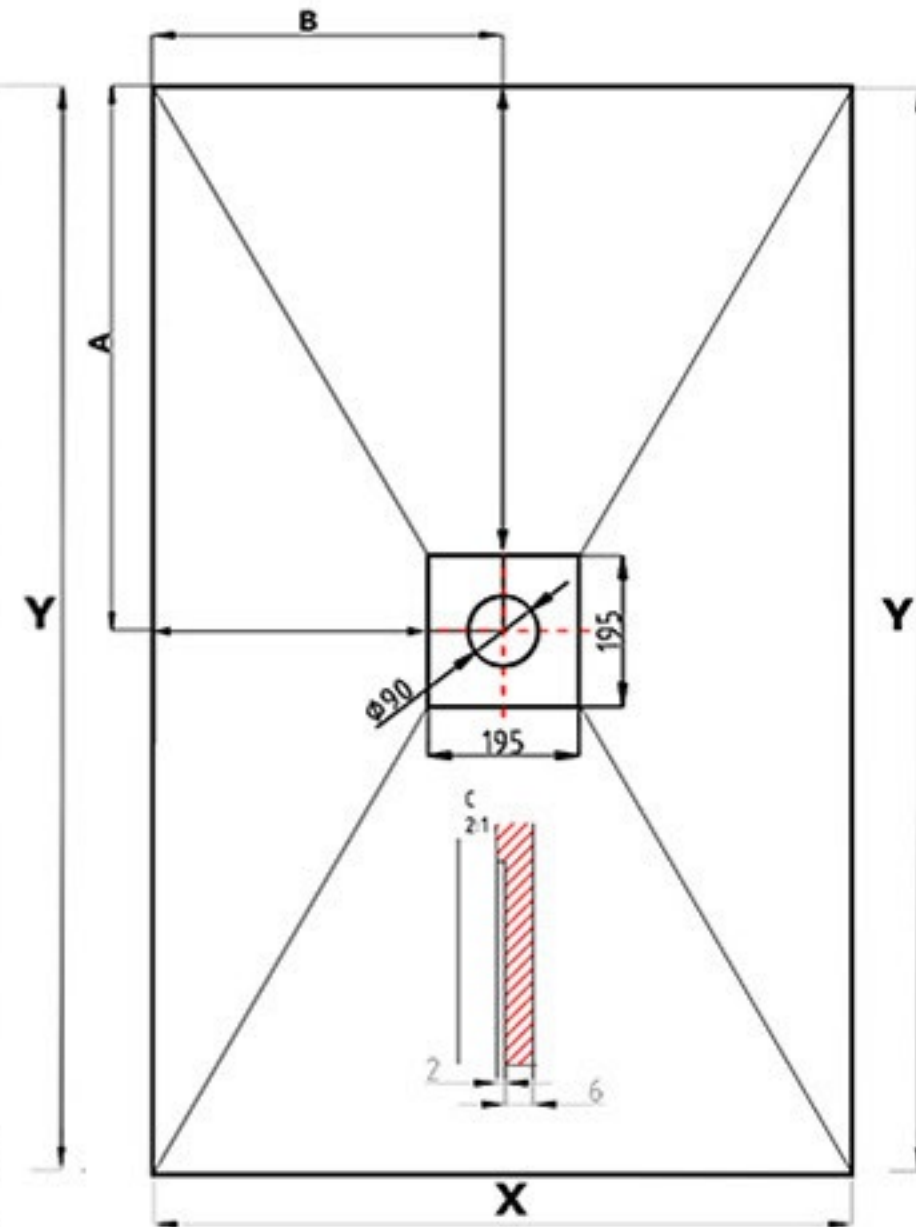
X: 1000 [mm]
Y: 1000 [mm]
A: 225 [mm]
B: 225 [mm]

OFFSET



X: 1000 [mm]
Y: 1000 [mm]
A: 225 [mm]
B: 500 [mm]

CENTRAL



X: 1000 [mm]
Y: 1000 [mm]
A: 500 [mm]
B: 500 [mm]

